

MORNINGSTAR READYRAIL SYSTEM DRY CONTACT BLOCK

Quick Start Guide

INCLUDES: ReadyRelay Block and (2) installed relays A and B.



Contact Information:
www.morningstarcorp.com
Phone: 1-215-321-4457

Do not install or remove a ReadyRelay while the host device is powered ON.

CAUTION: Equipment Damage
The relay circuit has no overcurrent protection. A fuse no larger than six (6) Amps must be installed - in either leg - to protect the circuit. Since the internal relay circuitry has no overcurrent protection, the installer must ensure that the circuit is fused. ReadyRelay failures that result from lack of overcurrent protection are not covered by the Morningstar warranty.



CAUTION: Equipment Damage
Power surges with in-rush current greater than 10 Amps can damage the relay.



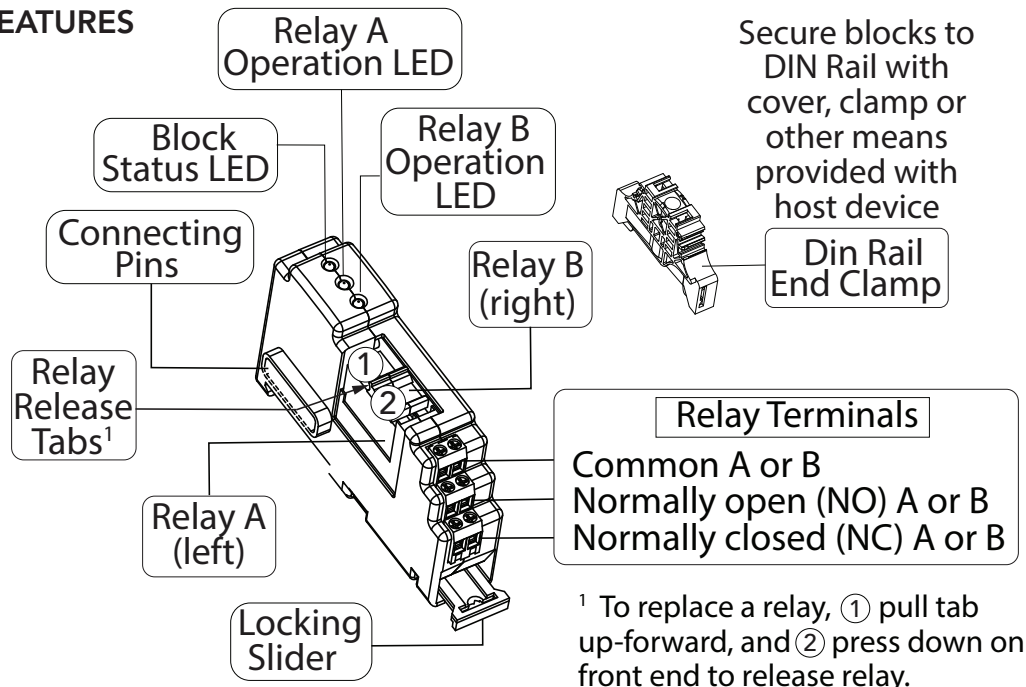
CAUTION: This guide must be used with the full product manual that includes important information. Carefully read the ReadyRelay product manual for all specifications, safety, regulatory and warranty information, and for all required instructions on installation procedures, configuration, and operation.

Scan QR Code to view full online manual



The ReadyRelay requires a Morningstar ReadyRail™-enabled host device, e.g., GenStar controller or ReadyEdge System Monitor and Communication Center to provide a mounting surface, power, and programming capability.

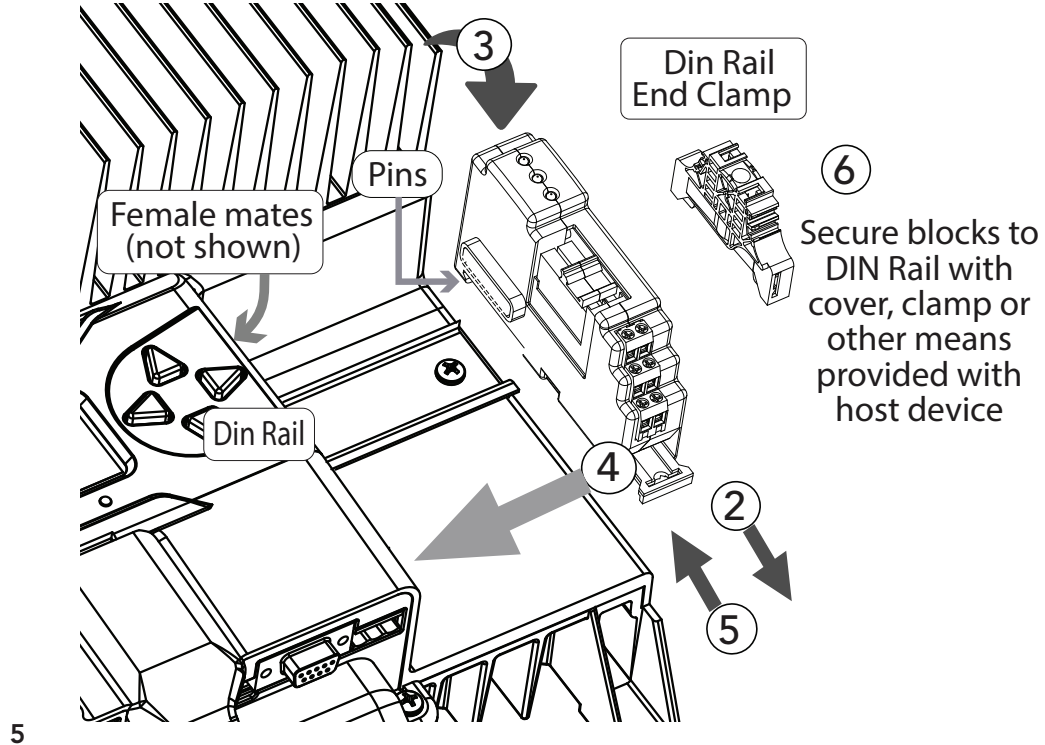
FEATURES



MOUNTING (see installation detail illustration on p. 5 - reverse)

- 1) Power OFF host device
- 2) Pull yellow slider out
- 3) Fit Block slot downward onto DIN Rail
- 4) Slide the Block to the left, **but before** joining the male and female mates, be sure that pin guards and pins are lined up correctly. **Carefully** slide the Block farther to the left to securely join the Block with host-device female mates.
- 5) Push yellow slider in, to secure Block on rail
- 6) Secure Block(s) to DIN rail with cover, clamp, or other means provided with host device.

Install additional Blocks in the same fashion as above.



CONFIGURATION - first connect the battery to the host device to power the host device-relay block system

ReadyRelay settings are adjusted in the host device's Morningstar LiveView web page. Refer to the Morningstar Website ReadyRelay full manual for details on how to connect to LiveView and access Installer Setup.



CAUTION: Configure the ReadyRelay via the host-device and the Morningstar Liveview webpage, **FIRST**, before wiring the relay.

See important topics in Configuration Section - 4.0 - of the ReadyRelay manual titled: **Threshold; Faults and Alarms; Charge Stage; External Source Control (ESC) Start-Stop, e.g., generator; Command/Schedule.**

WIRING



WARNING: Shock Hazard

Disconnect all power sources to the host and all other connected devices before working with ReadyRelay wiring.

General Use - see wiring illustration on p. 7 below

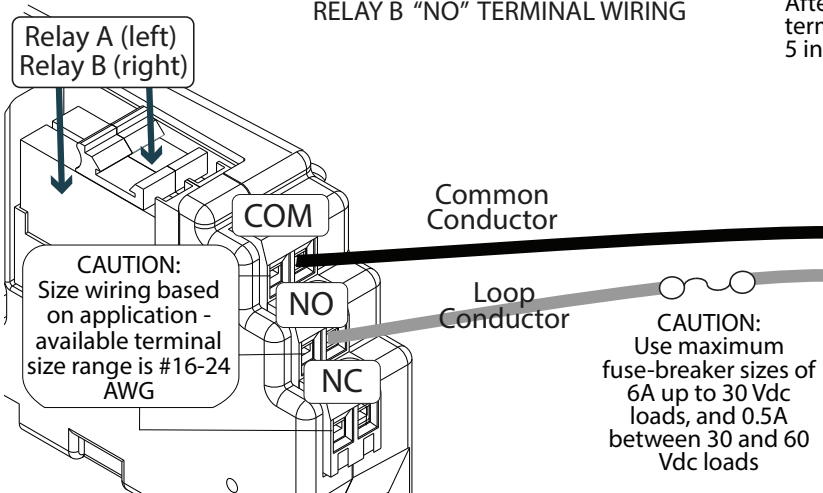
Relay contact terminals can be wired to a generator starting circuit (consult ReadyRelay manual Section 5.2 for details), vent fan, communications equipment, larger relays for power switching, buzzer or trouble light (no auxiliary devices included).

6

After wiring, tighten the terminal connector screws to 5 in-lb (0.56 N-m) of torque. **Connect the battery to power the host device-relay block system.**

LOAD STARTING EXAMPLES WITH RELAY B "NO" TERMINAL WIRING

NOTE: After wiring, tighten the terminal connector screws to 5 in-lb (0.56 N-m) of torque



LED INDICATIONS and TROUBLESHOOTING

The top ReadyRelay LED indicates Block status. The middle LED indicates operation of Relay A. The lower LED indicates operation of Relay B. The status LED will operate with a momentary heartbeat off every (5) seconds.

| Status LED | Indication |
|--------------------------------------|-------------|
| Block not powered or could not start | OFF |
| Normal condition - no faults | Green solid |
| Block faulted | Red solid |
| Powered pre-boot | Red solid |

| Relay A or B LEDs | Indication |
|-------------------------|-------------|
| Relay open | OFF |
| Relay closed or closing | Green solid |
| Relay fault | Red solid |

7