

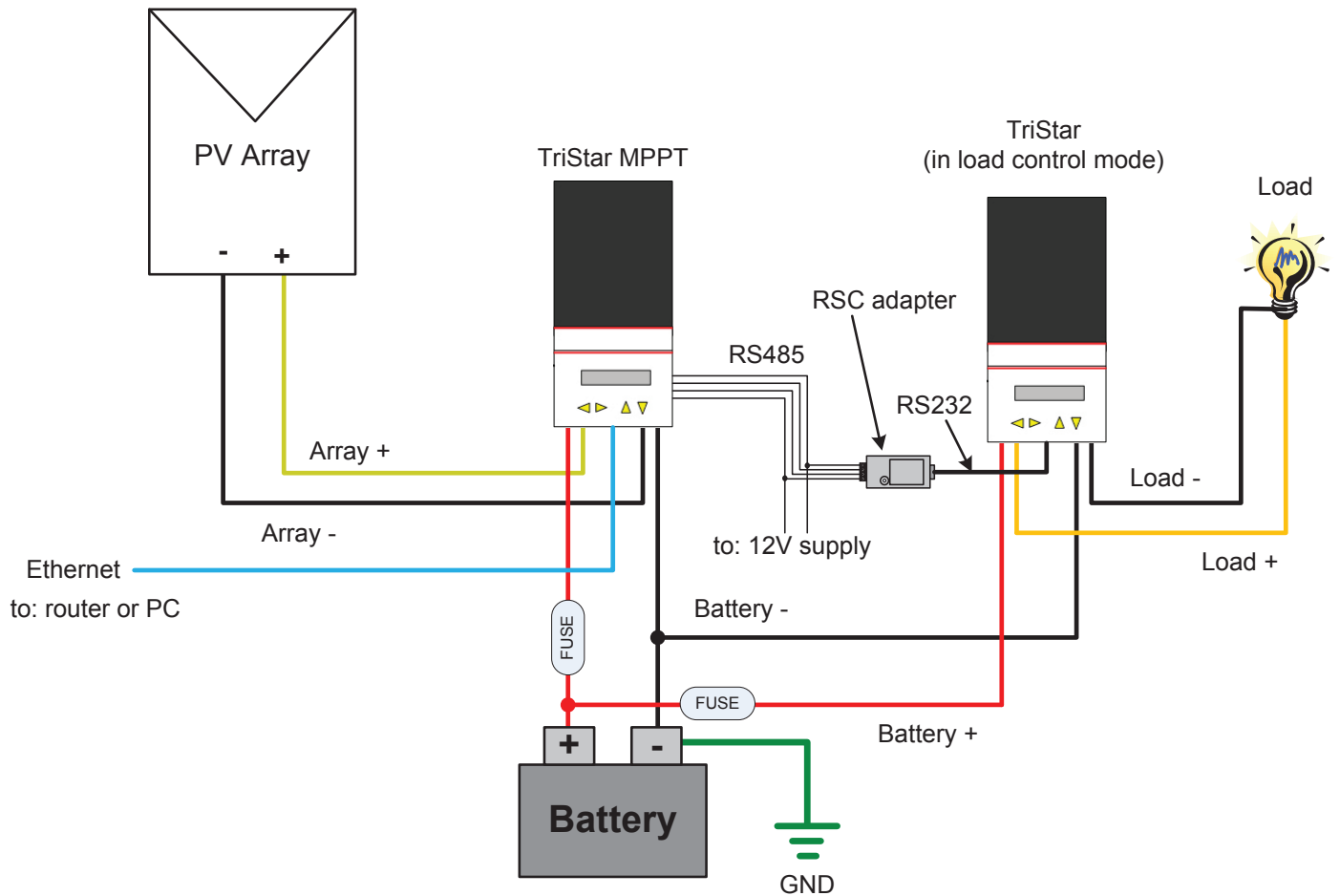
DIAGRAM: TSMPPPT 60/TS

TSMPPPT 60 Charge + TS Load w/Ethernet Communications

v01

Abstract:

This diagram shows an example system including a TriStar MPPT 60 performing charging functionality and a TriStar performing Load Control functionality. An EIA-485 network is used to enable Ethernet communications with the TriStar Load Controller.



IMPORTANT: This is not intended to be a complete system diagram; fusing, disconnects, and grounding should comply with local electric codes.

Notes:

- 485 Bridging must be enabled in the TriStar MPPT (this can be done with the MSView software).
- The RSC-1 adapter establishes an EIA-485 network connection between the TSMPPT and TS controllers.
- The TSMPPT and TS controllers must be programmed with a unique MODBUS address (this can be done with the MSView software).
- When properly configured (using the above notes), the TSMPPT Ethernet connection bridges communication to the TS controller so that a single Ethernet connection can be used to talk to both units simultaneously.
- For more detailed networking and communications information, please consult the Morningstar Communications Document and respective product manuals (TriStar MPPT, TriStar, RSC-1).

© 2013 Morningstar Corporation. All rights reserved.